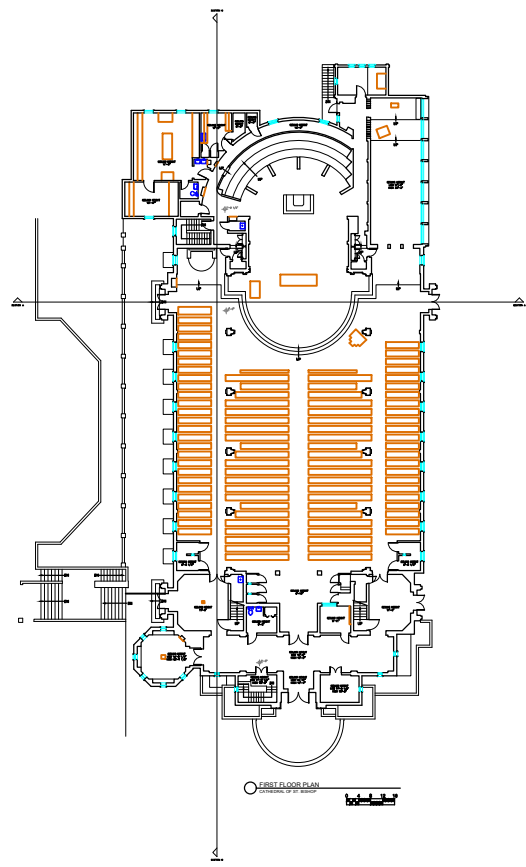
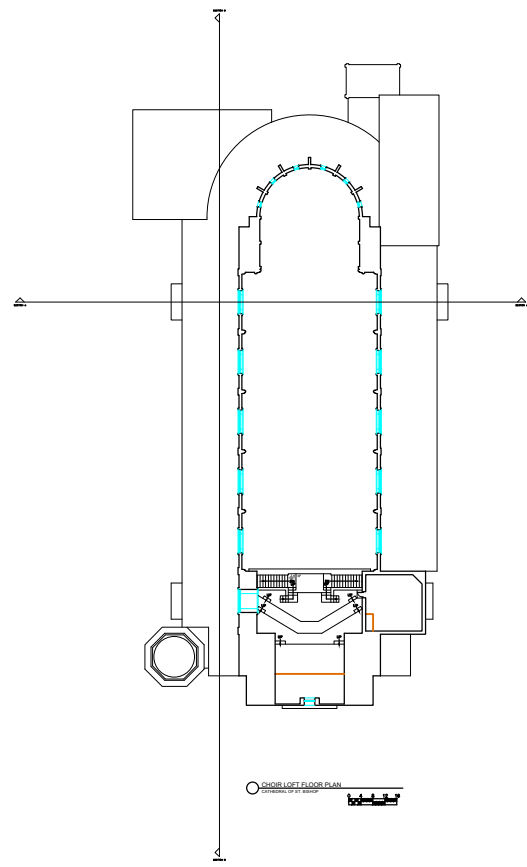


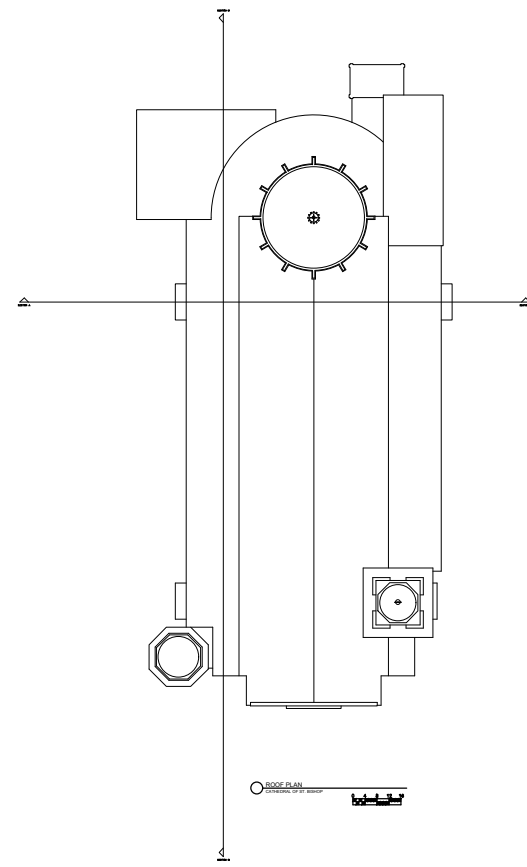
Basement Plan



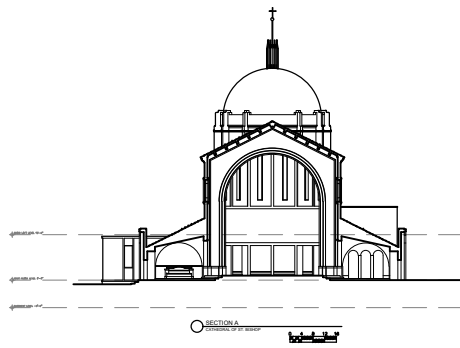
First Floor Plan



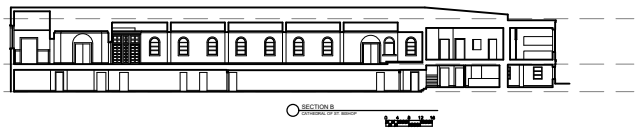
Choir Loft Floor Plan



Roof Plan



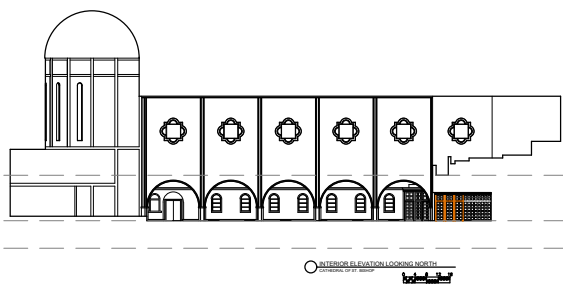
SECTION A-A



SECTION B-B



SECTION C-C

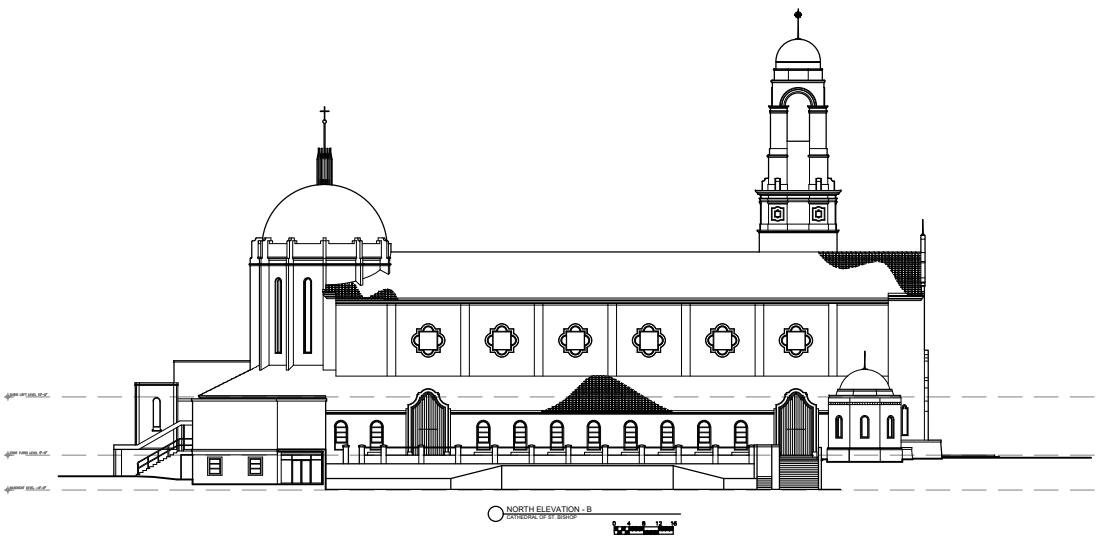


SECTION D-D

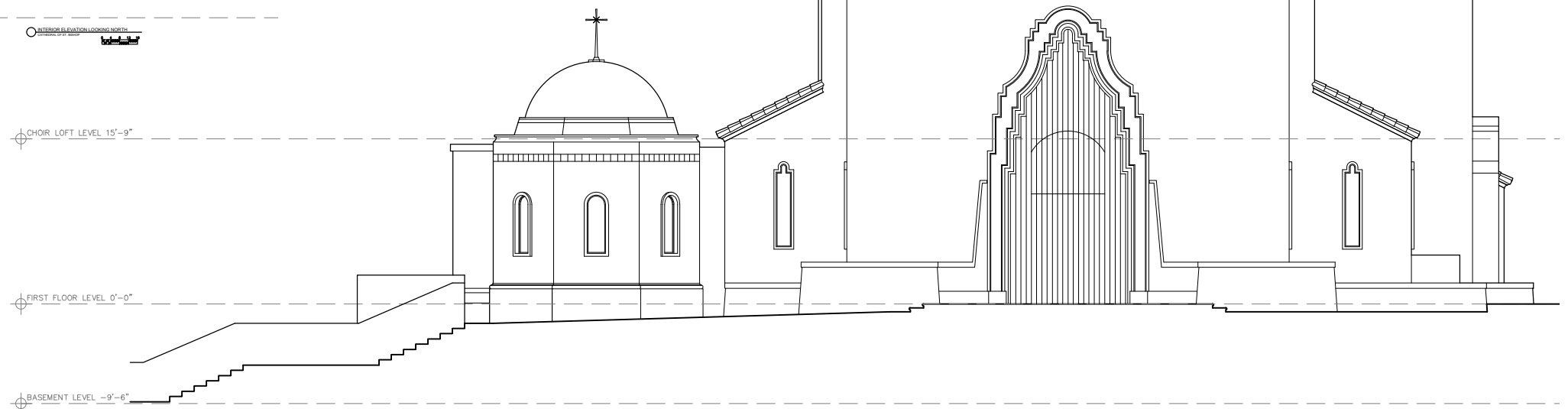
CHOR LOFT LEVEL 15'-9"

FIRST FLOOR LEVEL 0'-0"

BASEMENT LEVEL -9'-6"



NORTH ELEVATION - B



WEST ELEVATION  
CATHEDRAL OF ST. BISHOP

